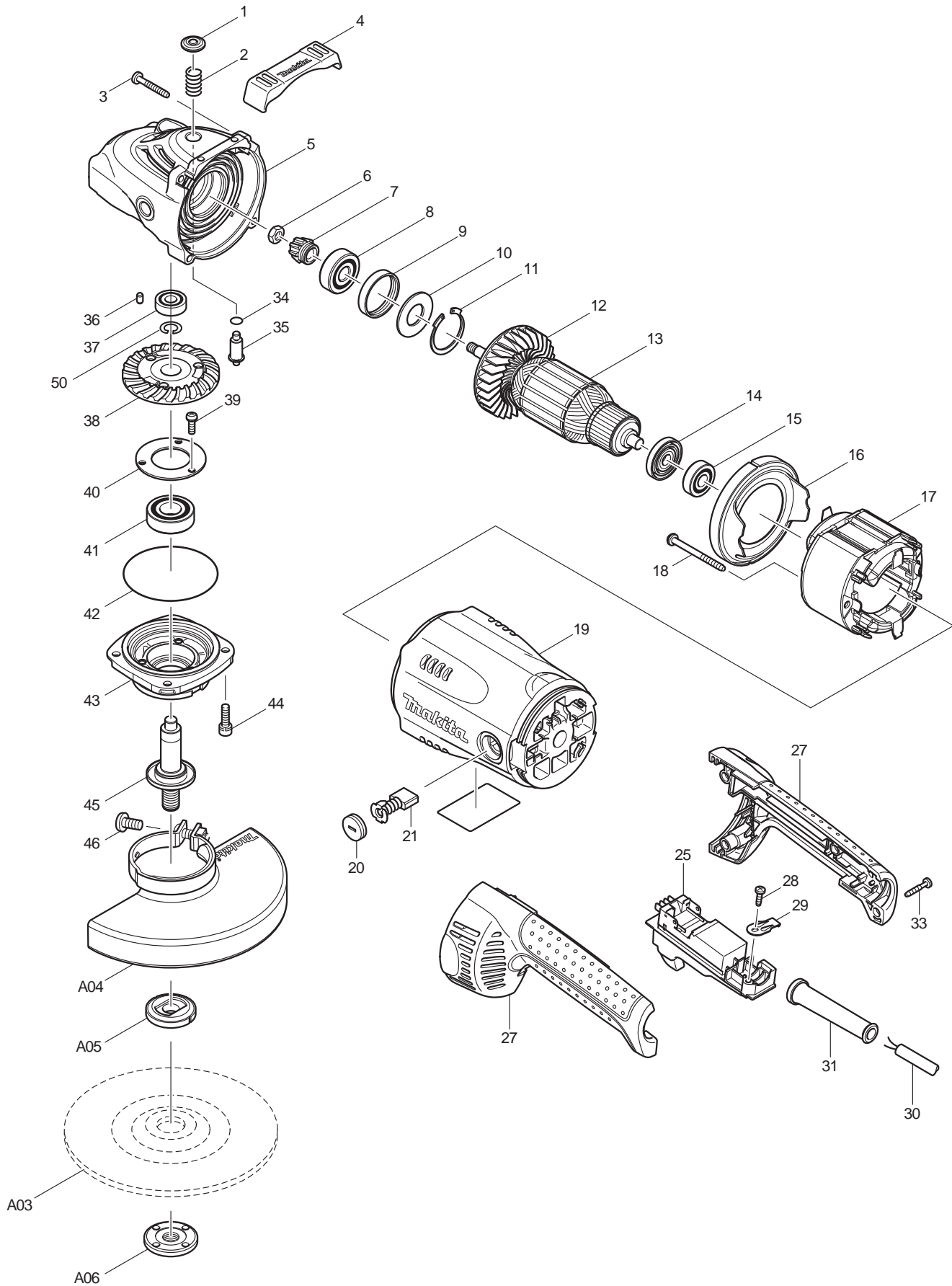




09 - 2010
GA7020
7" ANGLE GRINDER AC/DC



Item No	Type	Ref	Part No	Description	Qty	Unit
1			419133-4	PIN CAP	1	PC.
2			233292-8	COMPRESSION SPRING 12	1	PC.
3	1		266373-3	TAPPING SCREW 5X35	4	PC.
	2		266012-5	TAPPING SCREW 5X35	4	PC.
4			419144-9	BUMPER	1	PC.
5			154685-5	GEAR HOUSING COMPLETE	1	PC.
		INC.	262118-7	FELT RING 18	1	PC.
6			252194-9	HEX. NUT M8	1	PC.
7			227488-1	SPIRAL BEVEL GEAR 16	1	PC.
8			211132-0	BALL BEARING 6301DDW	1	PC.
9			262085-6	RUBBER RING 38	1	PC.
10			267299-2	FLAT WASHER 20	1	PC.
11			962211-4	RETAINING RING R-42	1	PC.
12			240081-4	FAN 80	1	PC.
13	1		510087-9	ARMATURE ASS'Y 115V - N/L/A	1	PC.
		INC.		Item No. 12,14,15	1	PC.
	2		510124-9	ARMATURE ASS'Y 115V	1	PC.
		INC.		Item No. 12,14,15	1	PC.
14			681630-2	INSULATION WASHER	1	PC.
15			211087-9	BALL BEARING 6200DDW	1	PC.
16			419135-0	BAFFLE PLATE	1	PC.
17	1		526156-6	FIELD ASS'Y 115V - N/L/A	1	PC.
		INC.	654197-3	RING TERMINAL (Garter Spring)	2	PC.
		INC.	654502-4	CONNECTOR P-2	2	PC.
	2		526176-0	FIELD ASS'Y 115V	1	PC.
		INC.	654197-3	RING TERMINAL (Garter Spring)	2	PC.
		INC.	654502-4	CONNECTOR P-2	2	PC.
18	1		266329-6	TAPPING SCREW 5X60	2	PC.
	2		266044-2	TAPPING SCREW 5X60	2	PC.
19			154947-1	MOTOR HOUSING COMPLETE	1	PC.
		INC.	643712-8	BRUSH HOLDER	2	PC.
		INC.	810341-4	CAUTION LABEL	1	PC.
20			643700-5	BRUSH HOLDER CAP 7-18	2	PC.
21	1		191957-7	A.C. CARBON BRUSH CB-204, 2PCS/SET (W/O ORIGIN)	1	SET
	2		194992-4	A.C. CARBON BRUSH CB-204, 2PCS/SET (W/ORIGIN)	1	SET
25	1		651177-0	SWITCH 1267.4111 AC/DC - N/L/A	1	PC.
	2		650101-0	SWITCH TG08-1100-011	1	PC.
27			188059-8	HANDLE SET	1	SET
		INC.	423350-0	SPONGE SHEET	1	PC.
28			266385-6	TAPPING SCREW 4X14	1	PC.
29			687169-3	STRAIN RELIEF	1	PC.
30			664463-0	CORD WITH PLUG 2P-14-2.5M	1	PC.
31			682560-0	CORD GUARD 10	1	PC.
33			266374-1	TAPPING SCREW 4X25	4	PC.
34			213062-1	O RING 9	1	PC.
35			256491-5	SHOULDER PIN 5	1	PC.
36			263002-9	RUBBER PIN 4	1	PC.
37			211062-5	BALL BEARING 6000ZZ	1	PC.
38			227489-9	SPIRAL BEVEL GEAR 53 B	1	PC.
39			265120-9	PAN HEAD SCREW M5X16	3	PC.
40			285724-1	BEARING RETAINER 50	1	PC.
41			211278-2	BALL BEARING 6203DDW	1	PC.
42			213760-7	O RING 78	1	PC.

Item No	Type	Ref	Part No	Description	Qty	Unit
43			317988-0	BEARING BOX	1	PC.
44			265541-5	HEX. SOCKET HEAD BOLT M6X22	4	PC.
45			158207-3	SPINDLE A COMPLETE	1	PC.
		INC.	345629-8	LABYRINTH RING 25	1	PC.
46			265158-4	+PAN HEAD SCREW M8X25	1	PC.
50			233946-7	RING SPRING 15	1	PC.

ACCESSORIES

- See catalogue or visit www.makita.ca for more accessories information -

A01			152539-0	GRIP 36 COMPLETE	1	PC.
A02			782412-6	LOCK NUT WRENCH 28	1	PC.
A03	1		741413-B	7"GRINDING WHEEL GRIT 24 (7"X1/4"x7/8") - N/L/A	1	PC.
	2		741466-2	7"GRINDING WHEEL GRIT 24R (7"X1/4"x7/8")	1	PC.
	3		D-20806	7"GRINDING WHEEL GRIT 24R	1	PC.
	Opt		741416-7	7"GRINDING WHEEL GRIT 36 (7"X1/4"x7/8")	1	PC.
A04			122767-1	TOOLLESS WHEELCOVER ASS'Y F/7"	1	PC.
A05			224317-9	INNER FLANGE 89 (F/D.C.W.)	1	PC.
A06			224568-4	LOCK NUT 5/8-45 (F/D.C.W.)	1	PC.
A08			194543-3	VIBRATION PROOF GRIP	1	PC.
A09			194289-1	DUST COVER ATTACHMENT SET	1	SET